

Betriebsanleitung
Operating Instructions
Instructions de service
Istruzioni d'uso
Handleiding
Instrucciones para el manejo
Manual de instruções
Naudojimosi instrukcija
Kasutusjuhend
Lietošanas instrukcija
Οδηγίες χρήσης
取扱説明書
사용설명서

Driftsinstruks
Driftsinstruktioner
Käyttöohje
Driftsvejledning
Instrukcja obsługi
Kezelési útmutató
Návod k obsluze
Navodilo za uporabo
Návod na obsluhu
Ei Kitabi
Инструкция по эксплуатации
使用说明书

U 4.190

2006/42/EG



DIN EN ISO 14001:2005

DIN EN ISO 9001
001929 QM

<p>Becker Lube M/S/SL 100 ▷ 7,0 Liter</p>	<p>MAX. VACUUM</p>		<p>mbar</p>
		<p>DIN EN ISO 3744</p>	<p> $L_{pA} = 73 \text{ dB(A)} - 50\text{Hz}$ $L_{pA} = 76 \text{ dB(A)} - 60\text{Hz}$ $K_{pA} = 3 \text{ dB(A)}$ </p>

<p>163 kg 359.5 lbs</p>	<p> $A > 100\text{mm}$ $A > 4"$ </p>	<p> $> 5^\circ\text{C}/41^\circ\text{F}$ $< 40^\circ\text{C}/104^\circ\text{F}$ </p>	<p>max. 90%</p>	<p>max. 800m</p>
<p>1</p>		<p>2</p>		

28100026400 01/10

7,0 Liter

Becker Lube M 100 (Mineral oil)
 ▷ No.: 96000900000 (1l)
 ▷ No.: 96000900200 (5l)

Becker Lube S 100 (Synthetic oil)
 ▷ No.: 96001600100 (1l)
 ▷ No.: 96001600200 (5l)

Becker Lube SL 100 Food
 ▷ No.: 96002300100 (1l)
 ▷ No.: 96002300200 (5l)

MAX

3

4

5

6

BECKER Mat.Nr. XXXXXX ENXXXX CE
 3~Mot. XXXXXXXX
 NoUp. xxxxxx xx

50 Hz	XXKW	60 Hz	XXKW
XXX-XXX / XXX-XXX V Δ / Y		XXX-XXX / XXX-XXX V Δ / Y	
XX-XX / XX-XX A		XX-XX / XX-XX A	
cos φ 0.XX-0.XX		cos φ 0.XX-0.XX	
XXXX-XXXX /min		XXXX-XXXX /min	

XX kg

7

L2 L1 L3

U1 V1 W1

M 3~

optional

PTC **Bi-metal**

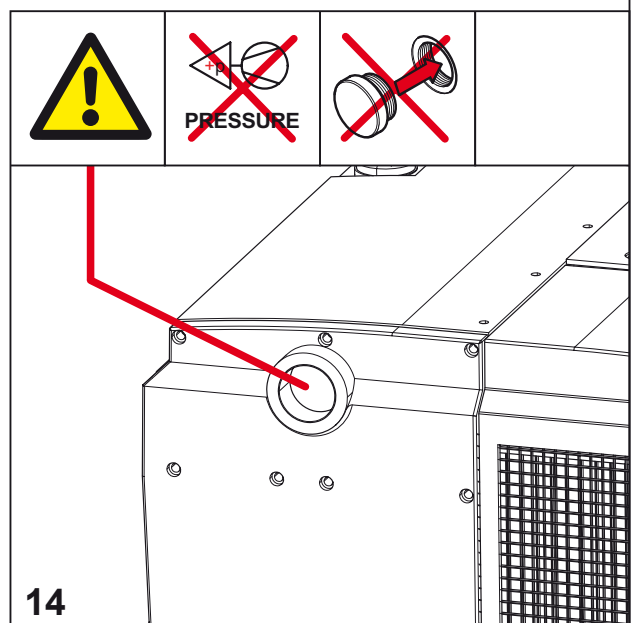
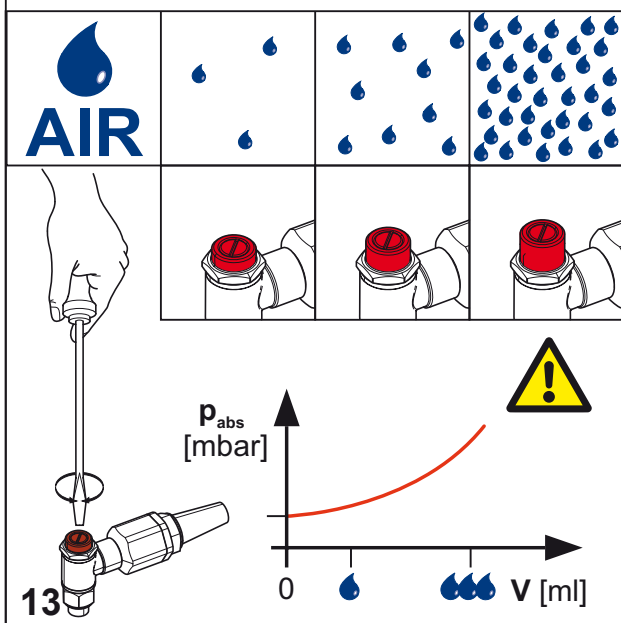
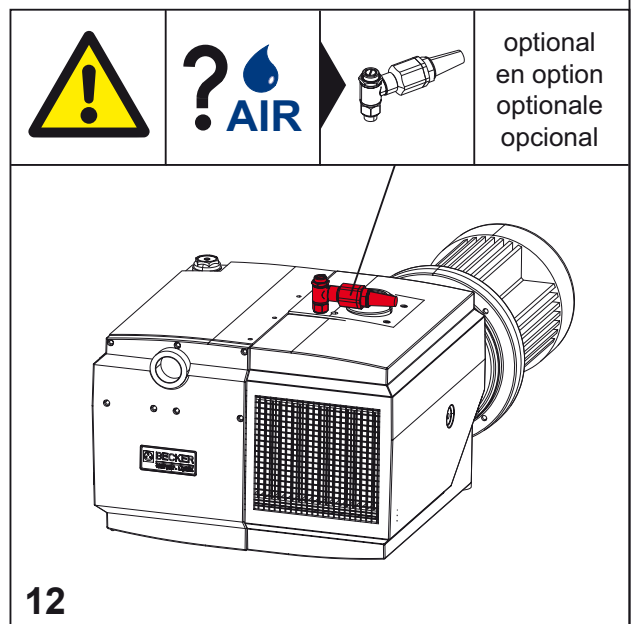
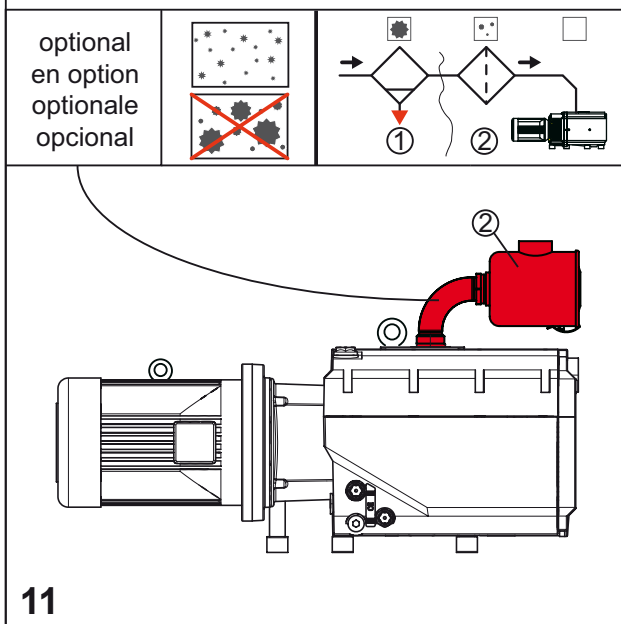
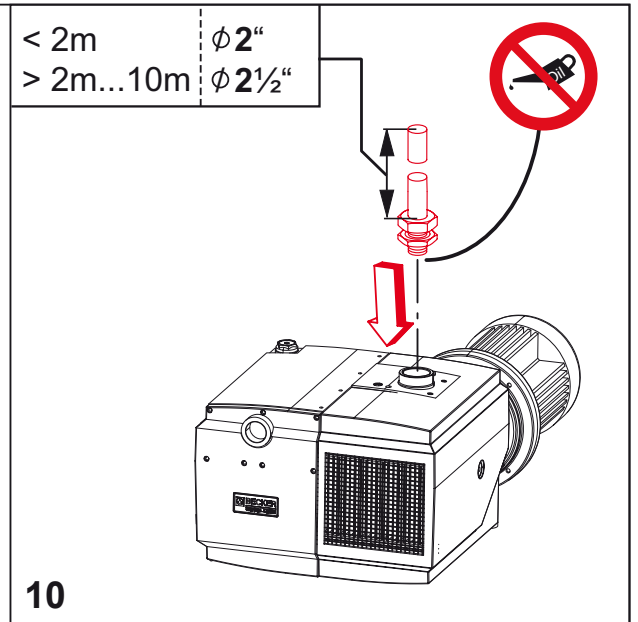
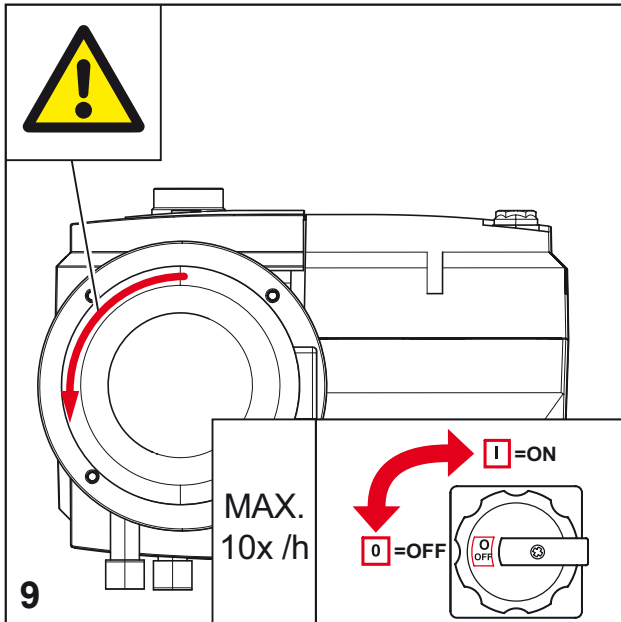
8

Pt 100

T_{MAX}

optional
 en option
 optionale
 opcional

No.: 94340190000 - 230V
 No.: 94340190200 - 24VDC
 No.: 94340190100 - 115V



A.

B.

C.


D.

F.

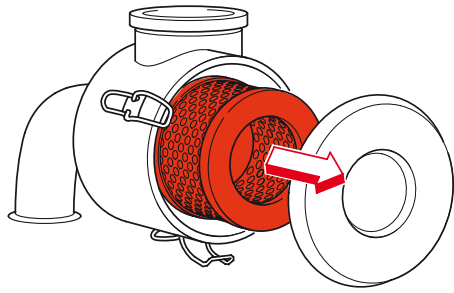
Becker Lube **M 100** (Mineral oil)
 ▷ No.: 96000900000 (1)
 ▷ No.: 96000900200 (5)
 Becker Lube **S 100** (Synthetic oil)
 ▷ No.: 96001600100 (1)
 ▷ No.: 96001600200 (5)
 Becker Lube **SL 100 Food**
 ▷ No.: 96002300100 (1)
 ▷ No.: 96002300200 (5)

E.

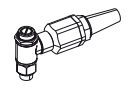
Oil level indicator:
 1. = 100 h
 2. = 1.000 h
 3. = 2.000 h
 ... (min. 2x/a)



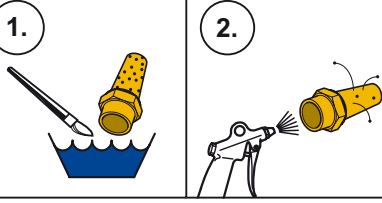
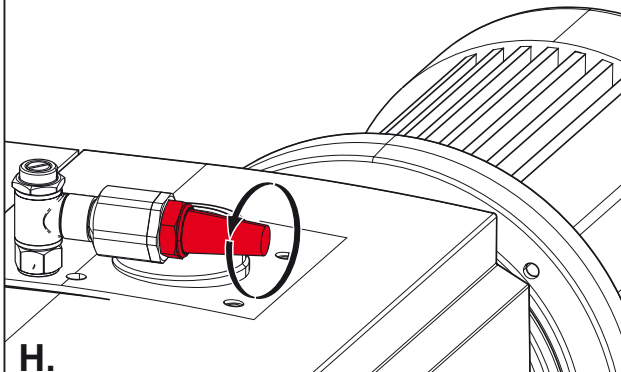
40 - 200 h **AIR ?**




G.



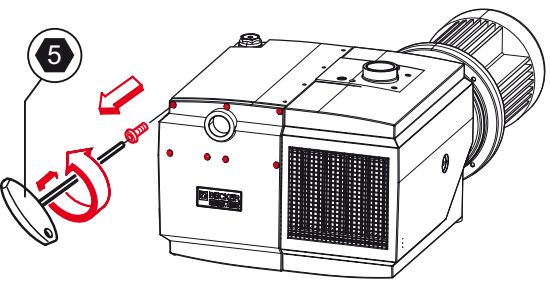
1000 h


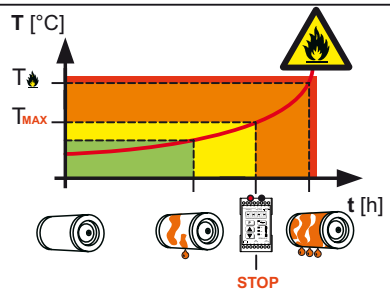
H.




2000 h




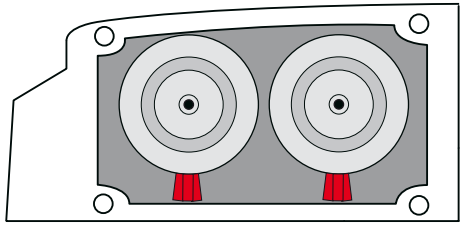
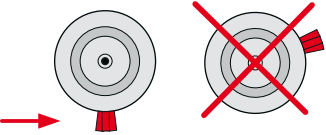
I.


J.



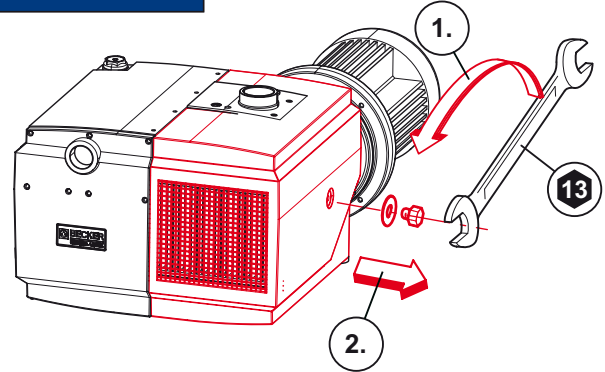
2x Pos. 83
No.: 96541500000

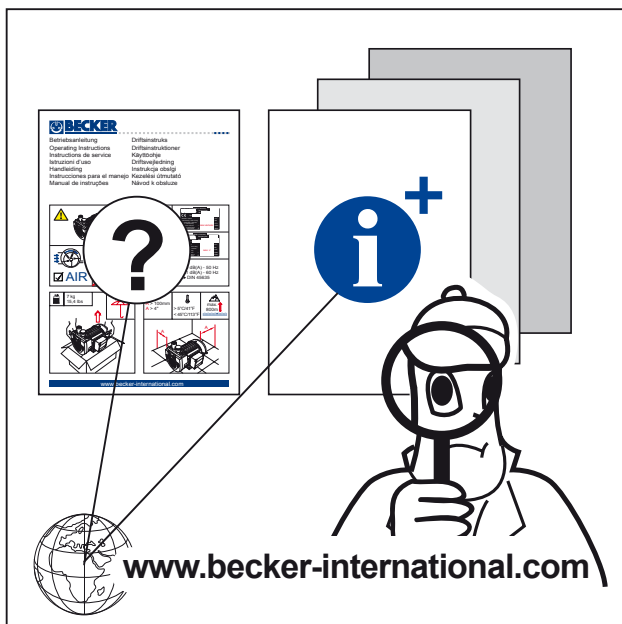
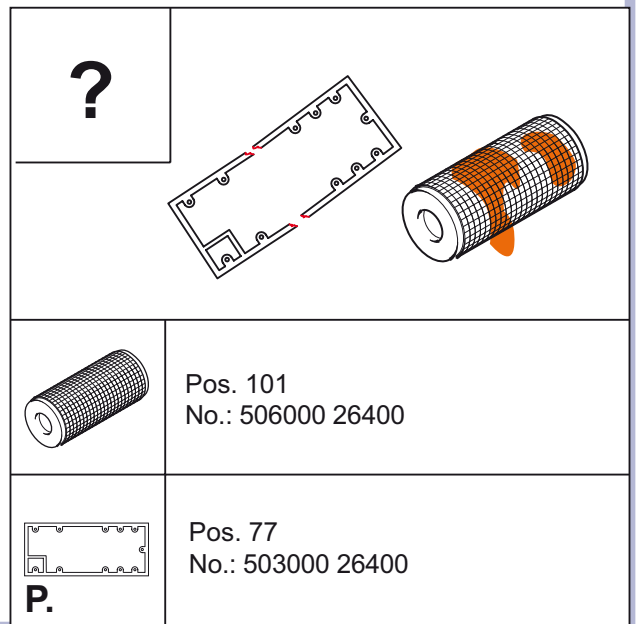
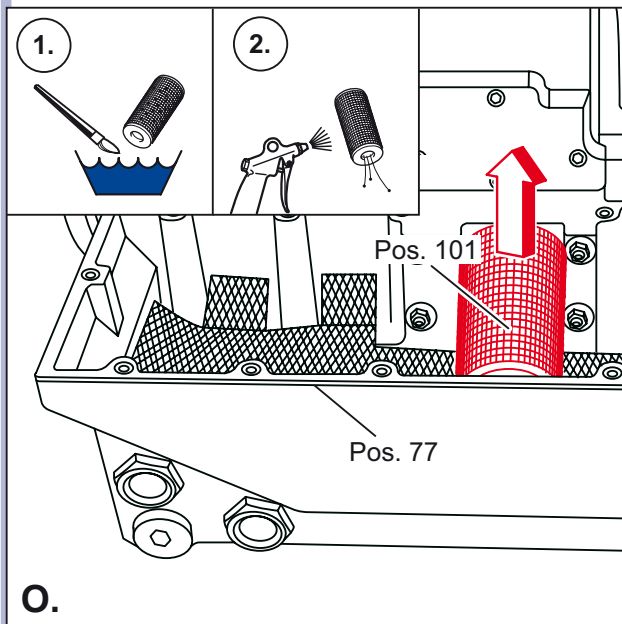
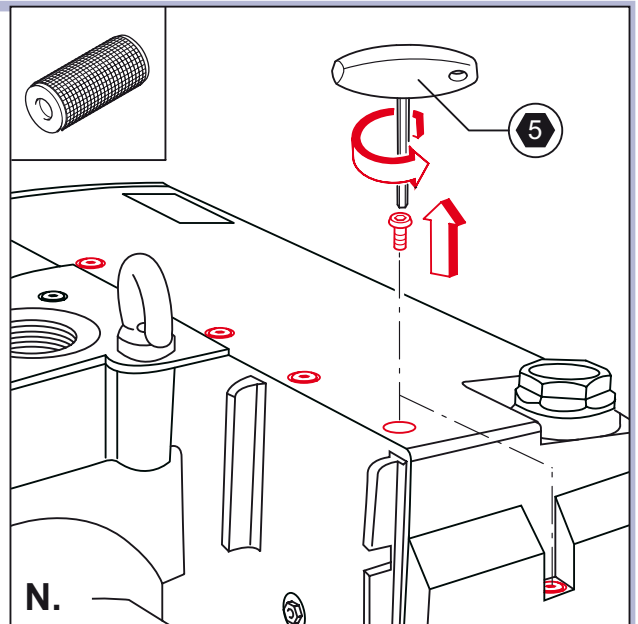
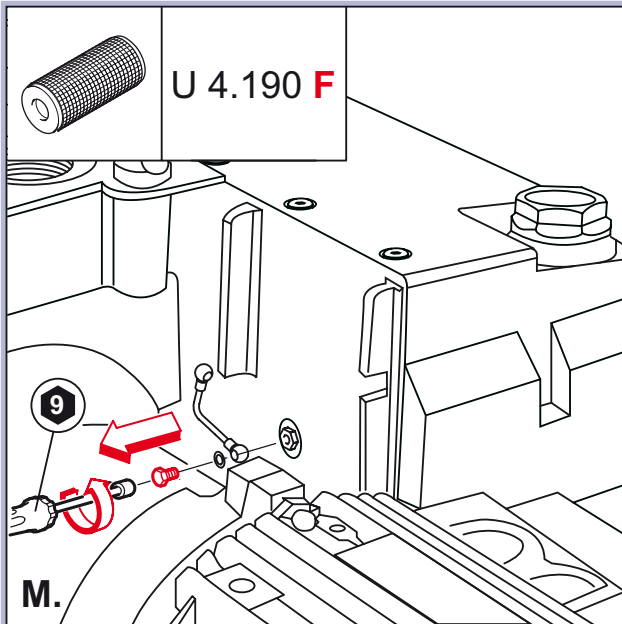
K.



5000 h



L.



BECKER

Gebr. Becker GmbH
Hölker Feld 29-31
D-42279 Wuppertal

info@becker-international.com

(D) Service:
Tel: +49 (0)202 697-171
Fax: +49 (0)202 64 44 74